

[TopPage](#)>>[Search Result](#)>>7305BDB

Angular Contact Ball Bearings

Bearing No. : **NACHI 7305BDB**

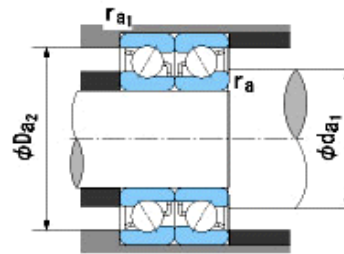
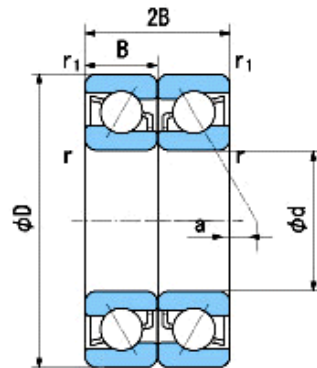
■ Bearing Type

■ Clearance

■ Tolerance Class

Dimensions

d = 25⁰_{-0.010}
 D = 62⁰_{-0.013}
 B = 17⁰_{0.000}
 r = 1.1~2
 (Radial Direction)
 r = 1.1~3.5
 (Axial Direction)
 r1 = 0.6~1
 (Radial Direction)
 r1 = 0.6~2
 (Axial Direction)
 a = 9.8



Dimensions

da1(min) = 32
 da2(min) = 30
 Da1(max) = 55
 Da2(max) = 57
 ra(max) = 1
 ra1(max) = 0.6
 Mass = 0.49 kg

Basic Dynamic Load Rating Cr : **40,500** N
 Basic Static Load Rating Cor : **30,000** N
 Limiting Speed ;
 Grease Lubrication : **7,300** min⁻¹
 Oil Lubrication : **10,000** min⁻¹

| | INNER RING | OUTER RING |
|--------------------------------|--------------|--------------|
| O.D.Surface Runout with Side : | | - |
| Axial Runout with Bore : | - | |
| Axial Runout with Raceway : | - | |
| Width Variation : | 0.020 | 0.020 |
| Radial Runout : | 0.013 | 0.025 |